



MEASUREMENT FORM

GENOA / JIB / STAYSAIL



MEASUREMENT FORM

GENOA / JIB / STAYSAIL

Complete Information on this form will enable PRIME SAILS to design the best professional sail for your boat.

BILLING ADDRESS

Full name

Street, No. Postcode / City

Phone Email

Boat type

Sailing territory*

*Where are you sailing?

DIFFERENT DELIVERY ADDRESS Yes No

Full name

Street, No. Postcode / City

Phone EMail

Please note before measuring! You have two choices of measuring.

1. Measurements from your old sail.
It is very precise (Skip to # 7)

2. Measurement of your boat parameter (as follow). Following tools are requested:

- Measurement Tape 20-30m (available in a home store)
- Vernier calliper (to measure the rope, boom, mast slot types)

1. HOW DOES YOUR HEADSAIL ATTACH TO THE BOAT?

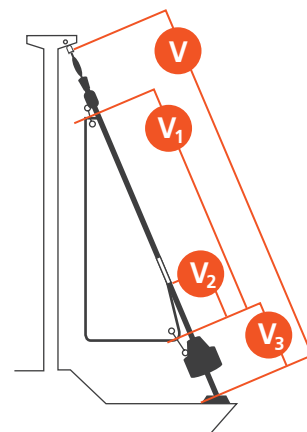
- Luff System
 Roller Furling System
 Hanks

Foil Tape size diameter

To measure with this vernier calliper on your old Foil tape
 LB = 4 mm 5mm 6mm other mm
 Hanks

Wire size

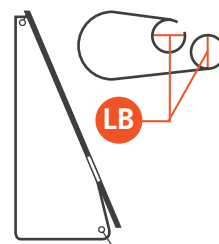
2,4 mm 3 mm 4 mm other mm



2. SELECT A TACK FITTING TYPE?

Only for Hanks and Luffsystems

-  Closed Loops
  Hook
  Snap Clip



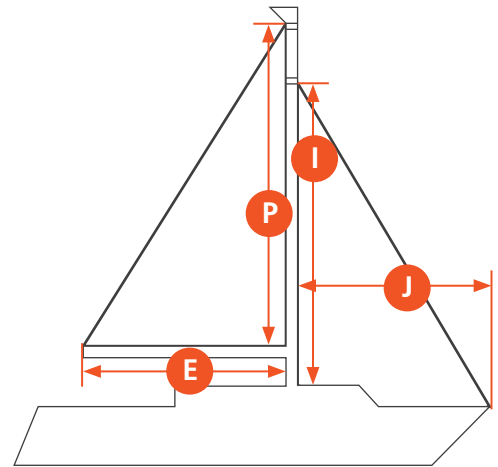
MEASUREMENT FORM

GENOA / JIB / STAYSAIL

3. RIG DIMENSIONS

(Generally find in your boat certificate)

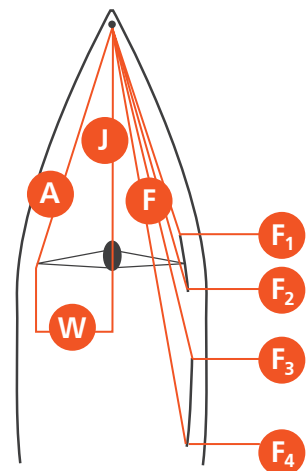
Foretriangle Height	I	<input type="text"/>
Foretriangle Base	J	<input type="text"/>
Luff length	P	<input type="text"/>
Foot length	E	<input type="text"/>
Luff / Mizzen	PY	<input type="text"/>
Foot / Mizzen	EY	<input type="text"/>



4. MEASURE OF JIB , GENOATRACKS AND MAIN SHROUDS/SIDESTAY POINTS.

Point of reference is the forstay/headstay, measured on deck.

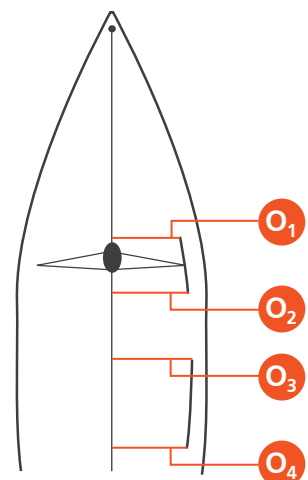
A	<input type="text"/>	m (Forstay to main shroud)
J	<input type="text"/>	m (Forstay to mast)
F1	<input type="text"/>	m (Forstay to front of the jib track)
F2	<input type="text"/>	m (Forstay to end of the jib track)
F3	<input type="text"/>	m (Forstay to front of the genoa track)
F4	<input type="text"/>	m (Forstay to end of the genoa track)
W	<input type="text"/>	m (Mast to main shroud / sidestay)



4.2 Measure the Offset of the Jib & Genoa Tracks.

Point of reference is the centerline of your boat.

O1	<input type="text"/>	cm (Centerline to front of the jib track)
O2	<input type="text"/>	cm (Centerline to the end of jib track)
O3	<input type="text"/>	cm (Centerline to the front of Genoa track)
O4	<input type="text"/>	cm (Centerline to the end of Genoa track)



MEASUREMENT FORM

GENOA / JIB / STAYSAIL

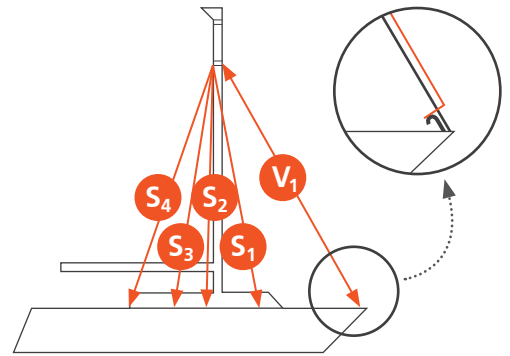
5. MEASUREMENT OF THE HEADSAIL TRIANGLE, HALYARD LENGTH AND HEADSAIL TRACK

Determination V1 of the max. luff length: Measure from the tack hook/shackle to max. hoist of the headsail. S1 to S4 is measured on decks height. Take length as if the tape measure would be the leech of the headsail.

Connect the tape measure to shackle of halyard (roller reefing foresail to head of swivel) and hoist the halyard until it stops

Measure the following parameters:

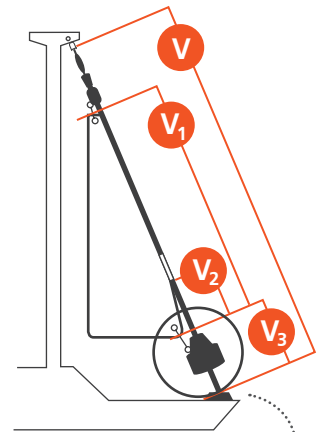
- V1 Maximal luff length
- S1 Hight halyard to front of jib track
- S2 Hight halyard to end of jib track
- S3 Hight halyard to front of genoa track
- S4 Hight halyard to end of genoa track



6. ONLY FOR ROLLER FURLING SYSTEMS

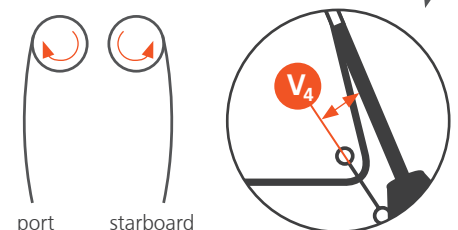
Type MFG / Modell

- V maximal forstay length (not compelling necessarily)
- V1 maximal luff length
- V2 bearing surface of the attachment of the furling drum to feeder
- V3 intersection of the headstay and the deck to bearing surface of the attachment of the furling drum
- V4 Distance at 90 to the forstay to the bearing surface of the tack fitting



How does your furling system turned being furled?

- Clockwise (port)
- Counterclockwise (starboard)



MEASUREMENT FORM

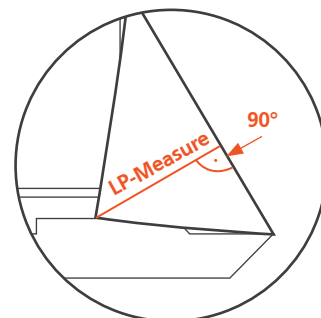
GENOA / JIB / STAYSAIL

7. OPTIONAL IF YOU WISH TO PROVIDE MEASUREMENTS FROM YOUR OLD SAIL, IS VERY PRECISE.

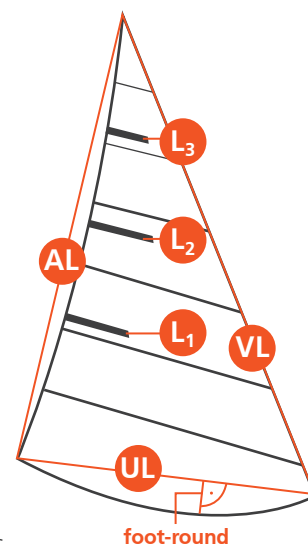
Please measure the following parameters:

The sail must be laid flat and measurements taken with the sail pulled out very tight!

Area sqm
LP-measure cm
VL (luff) cm
AL (leech) cm
UL (foot) cm
UL (foot-round) cm



Battens Yes No
If yes: Horizontal Vertical
L1 cm **L2** cm **L3** cm
or another quantity of battens pcs.
Lufftape Yes No
Hank Yes No
Wire luff Yes No
Tack shackle Yes No



8. DRAFT STRIPES

Our sails are delivered normally with draft stripes / profile stripes. Draft stripes provide a better visibility of the sailing profile and make the trimming more easily.

Choose the colour Black Red Blue Green Yellow

9. LAST BUT NOT LEAST

If your form is now completed, please copy the data from this form in our input mask under and add your special needs for your sail. Thats it!

<http://www.primesails.de/segelmacher/segel/preisanfrage-vorsegel/>

If you used the interactive PDF, you can send the measurement form directly via E-Mail. You do not have to copy the data into the input mask.

We promise, you will be surprised after receiving your personal offer. **Your Team of Prime Sails**